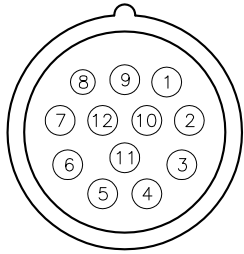
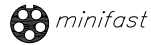
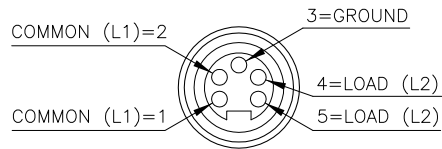


CS12 PIN-OUT (P1)

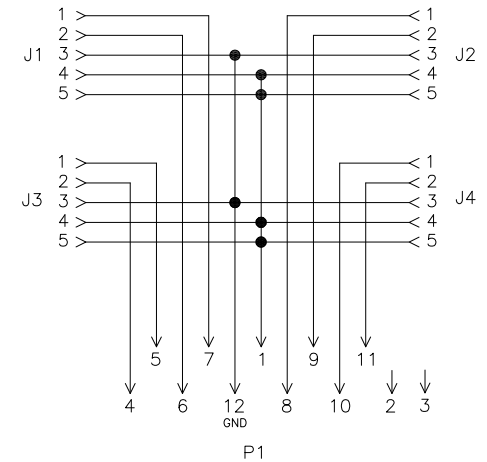
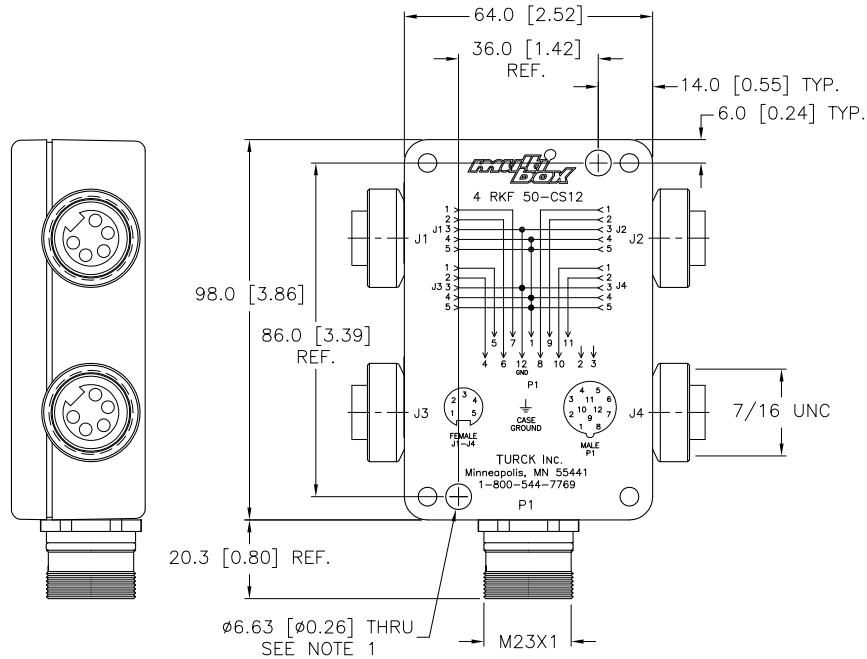


FEMALE PIN-OUT (J1-J4)

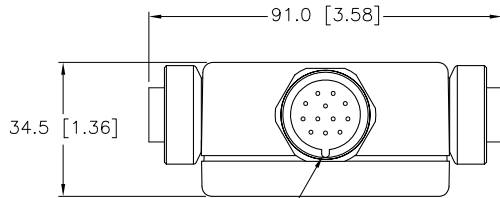


SPECIFICATIONS

HOUSING MATERIAL	DIE-CAST ALUMINUM ALLOY
HOUSING FINISH/COLOR	POWDER COAT/BLACK
RECEPTACLE HOUSING	NICKEL-PLATED BRASS
CONTACT CARRIERS/COLOR (J1-J4)	TPU/BLACK
CONTACT CARRIER/COLOR (P1)	NYLON or PBT/WHITE
CONTACTS	GOLD-PLATED BRASS
OPERATING VOLTAGE	250 VAC/300 VDC
OPERATING CURRENT	4.0 AMPS PER PORT, 8.0 AMPS TOTAL
PROTECTION CLASS to DIN 40050	IP 67 - ONLY WHEN ALL RECEPTACLES ARE COVERED WITH PLUGS OR CONNECTED
OPERATING TEMPERATURE	-30°C to 80°C (-22°F to 176°F)



WIRING DIAGRAM



KEYWAY MAY BE AT ANY POSITION

NOTES:

1. CLEARANCE HOLE FOR 1/4-20 MOUNTING SCREWS (2 NOT INCLUDED).

SOURCE DRAWING - FOR REFERENCE ONLY

RELATED DOCUMENTS 1. 2. 3. 4.	3RD ANGLE PROJECTION 	THIS DRAWING IS PROPERTY OF TURCK INC. USE OF THIS DOCUMENT WITHOUT WRITTEN PERMISSION IS PROHIBITED.		3000 CAMPUS DRIVE MINNEAPOLIS, MN 55441 1-800-544-7769 (763) 553-7300 (763) 553-0708 fax turck.com	
	MATERIAL SEE SPECIFICATIONS	DRFT JBJ	DATE 06/03/02	DESCRIPTION 4 RKF 50-CS12	
FINISH SEE SPECIFICATIONS	ALL DIMENSIONS DISPLAYED ON THIS DRAWING ARE FOR REFERENCE ONLY	DSGN	SCALE 1=2.0	UNIT OF MEASUREMENT <b>MILLIMETER [ INCH ]</b>	IDENTIFICATION NO. U0888-99
	CONTACT TURCK FOR MORE INFORMATION	DO NOT SCALE THIS DRAWING		REV C	FILE: U0888-99
C	DRAWING PROCESSED AS PART OF ECO 33971	CBM	04/07/11	33971	
REV	DESCRIPTION	BY	DATE	ECO NO.	SHEET 1 OF 1